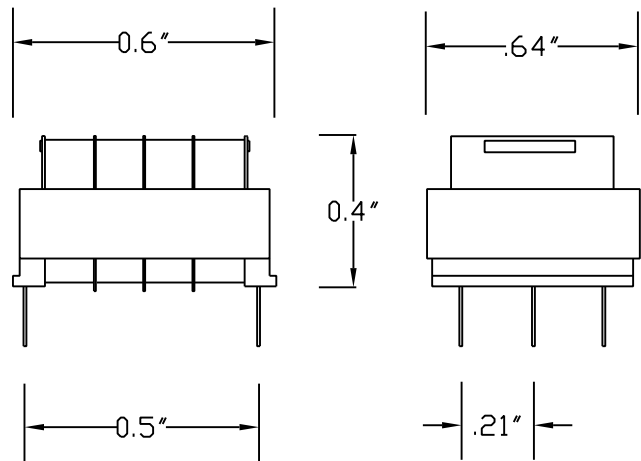
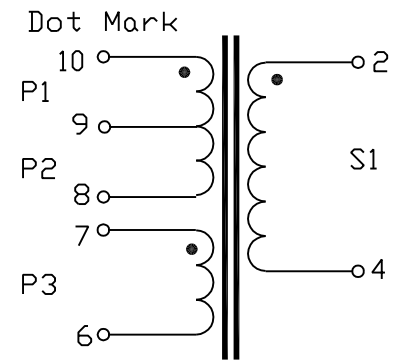
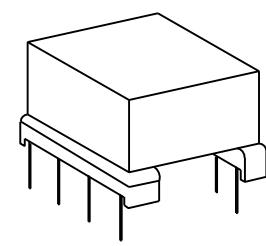
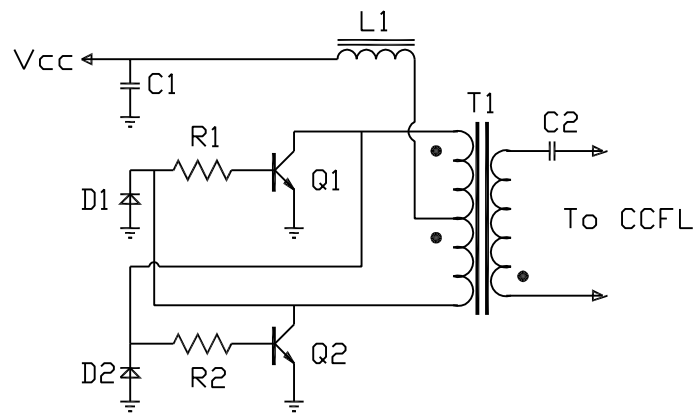


REVISIONS				
ZONE	REV	DESCRIPTION	DATE	APPROVED



NOTES:

1. Turn Ratio: Input:Output is 1:33.8
2. Primary Inductance: P1/P2/P3=33.5,33.5,3.7uH
3. Secondary Inductance: S1=150mH
4. Primary DCR: P1/P2/P3= 0.3,0.3,0.1 Ohms
5. Secondary DCR: S1=120 Ohms
6. Current Rating: Primary 230mA, Secondary 30mA
7. P3 Winding for optional feedback control



BILL OF MATERIALS:

- Q1,Q2 = NPN C2500
- R1,R2 = 8.2K Ohms
- D1,D2 = 1N4001 / 4148
- C1 = 10uF, 25V. C2 = 22pF, 2KV
- L1 = 80uH

UNLESS OTHERWISE SPECIFIED: DIMENSIONS ARE IN INCHES TOLERANCES		INTEGRITY TECHNOLOGY			
DECIMALS .XX ± .05 ANGULAR ± 0.5° .XXX ± .010 DO NOT SCALE DRAWING					
DRAWN	J. YOUNG	DATE	1-05		
CHECKED		SIZE	FSCM NO.	DWG NO.	REV
DESIGN		A		FE16C	D
SCALE		NONE	XTE-FE16C	SHEET	1 OF 1