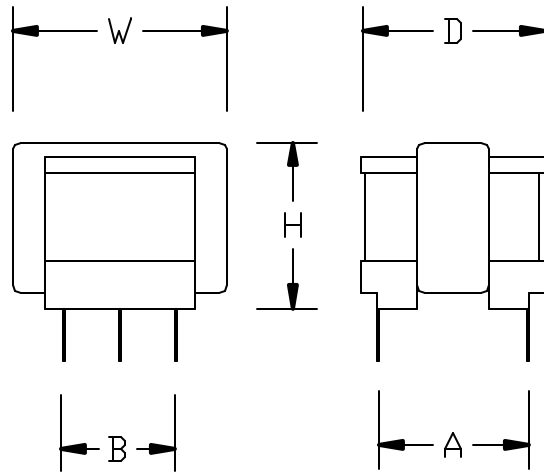
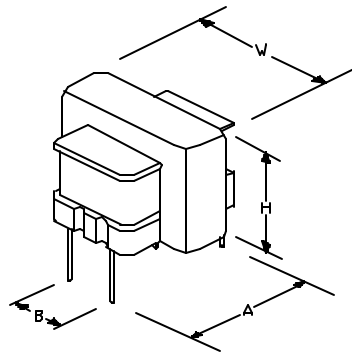
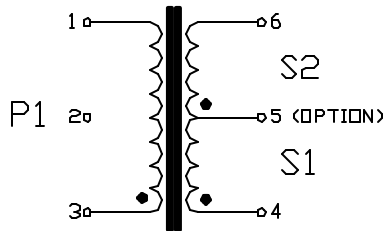


REVISIONS				
ZONE	REV	DESCRIPTION	DATE	APPROVED



NOTES:

1. IMPEDANCE PRIMARY : SECONDARY = 600 : 600 OHMS
2. TURN RATIO PRIMARY : SECONDARY = 1 : 1 +/- 1%
3. INDUCTANCE: PRIMARY = SECONDARY = 350 mH TYP AT 1KHZ
4. DC RESISTANCE: PRIMARY = SECONDARY = 60 OHMS TYP.
5. INSERTION LOSS = 1.3 dB MAX AT 1 KHZ
6. RETURN LOSS AT 300 HZ: 28.0 dB
7. RETURN LOSS AT 1KHZ: 38.0 dB.
8. DC BIAS CURRENT AT PRIMARY: 0 mA (DRY).
9. DIELECTRIC STRENGTH: NO LESS THAN 1500VAC 1MINUTE
10. INSULATION RESISTANCE: NOT LESS 20MOHM AT 500VDC AFTER HI-POT
11. CURRENT RATING PRIMARY = SECONDARY = 50mA
12. OPERATING TEMPERATURE: 0 TO +80C
13. TEMPERATURE RISE: UL CLASS B LESS THAN 70C
14. TEST SIGNAL: 1 Vrms AC PEAK-TO-PEAK AT 1 KHZ



DIMENSION:

W=0.63"(16mm), H=0.63"(15mm), D=0.55"(14mm)  
 A=0.36"(9.1mm), B=0.24"(6.2mm)  
 PIN DIA=0.04"(0.9mm), TYP LENGTH=.2"(5mm)

UNLESS OTHERWISE SPECIFIED: DIMENSIONS ARE IN INCHES TOLERANCES		INTEGRITY TECHNOLOGY			
DECIMALS .XX ± .05		ANGULAR ± 0.5		TELECOM TRANSFORMER	
XXX ± .010		DO NOT SCALE DRAWING		T16N	
DRAWN	J. YOUNG	DATE	7-99	SIZE	A
CHECKED		FSCM NO.		DWG NO.	T16N
DESIGN		SCALE	NONE	XTE-T16N	SHEET 1 OF 1
				REV	C