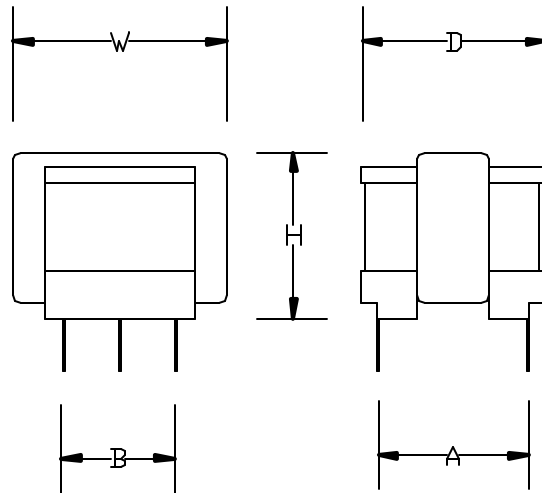
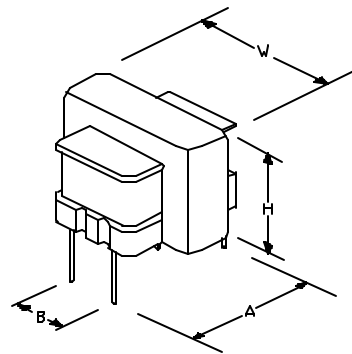
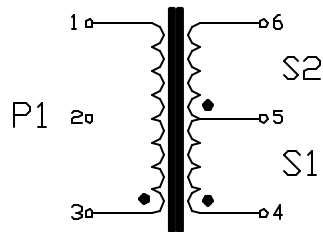


REVISIONS				
ZONE	REV	DESCRIPTION	DATE	APPROVED



NOTES:

1. IMPEDANCE PRIMARY : SECONDARY = 600 : 600 OHMS
2. TURN RATIO PRIMARY : SECONDARY = 1 : 1 +/- 1%
3. INDUCTANCE, PRIMARY & SECONDARY = 420mH TYP AT 300HZ
4. DC RESISTANCE, PRIMARY & SECONDARY = 82 OHMS, TYP
5. INSERTION LOSS : 2.2 dB AT 1000HZ
6. RETURN LOSS AT 300HZ = 21 dB
7. RETURN LOSS AT 1000HZ = 32 dB
8. DC BIAS CURRENT AT PRIMARY = 55mA (WET)
9. DIELECTRIC STRENGTH: NO LESS THAN 1500VAC 1MINUTE
10. INSULATION RESISTANCE = NO LESS 20 MOHM AT 500VDC HI-POT
11. CURRENT RATING = PRIMARY = SECONDARY = 90mA
12. OPERATING TEMPERATURE: 0 TO +80C
13. TEMPERATURE RISE: UL CLASS B LESS THAN 70C
14. TEST SIGNAL: 1 Vrms AC PEAK-TO-PEAK AT 1 KHZ
15. COMPONENT THERMAL CLASS = UL CLASS H 180C



DIMENSION:

W=0.63"(16mm), H=0.63"(15mm), D=0.55"(14mm)
A=0.36"(9.1mm), B=0.24"(6.2mm)
PIN DIA=0.04"(0.9mm), TYP LENGTH=.2"(5mm)

UNLESS OTHERWISE SPECIFIED: DIMENSIONS ARE IN INCHES TOLERANCES		INTEGRITY TECHNOLOGY			
DECIMALS .XX ± .05		ANGULAR ± 0.5		TELECOM TRANSFORMER	
XXX ± .010		DO NOT SCALE DRAWING		T16Z	
DRAWN	J. YOUNG	DATE	5-00	SIZE	A
CHECKED		FSCM NO.		DWG NO.	T16Z
DESIGN		SCALE	NONE	XTE-T16Z	SHEET 1 OF 1
				REV	D