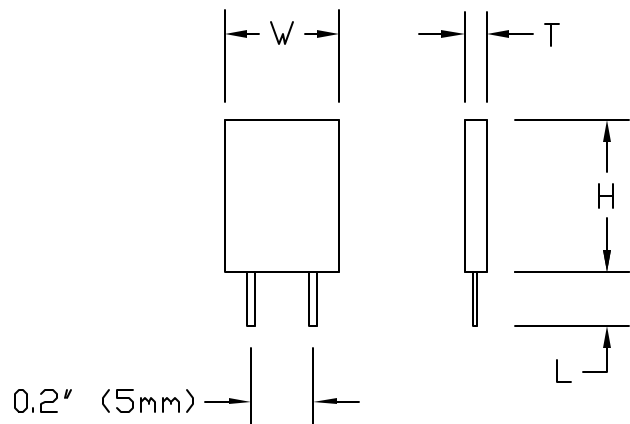
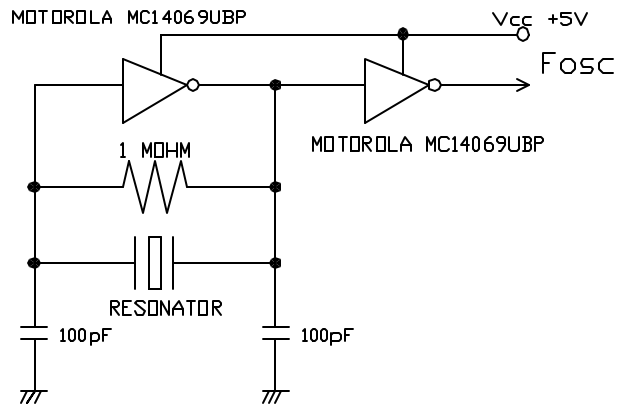


REVISIONS				
ZONE	REV	DESCRIPTION	DATE	APPROVED



NOTES:

1. RESONANT FREQUENCY: 384KHZ
2. FREQUENCY TOLERANCE: +/- 0.5% AT 25C
3. TEMPERATURE RANGE: -20C TO +80C.
4. AGING, 10 YRS ROOM TEMP: +/- 0.5% MAX.
5. DIMENSION IN MM: W=8, H=9, T=3.5, L=6
6. MARKING: "ZTB 384K"



CMOS STANDARD CIRCUIT

UNLESS OTHERWISE SPECIFIED: DIMENSIONS ARE IN INCHES TOLERANCES		INTEGRITY TECHNOLOGY			
DECIMALS	ANGULAR				
XXX ± .05	± 0.5°	CERAMIC RESONATOR			
XXX ± .010					
DO NOT SCALE DRAWING		SIZE	FSCM NO.	DWG NO.	REV
DRAWN	DATE	A		ZTB 384K	A
CHECKED		SCALE	NONE	ZTB-384K	SHEET 1 OF 1
DESIGN					