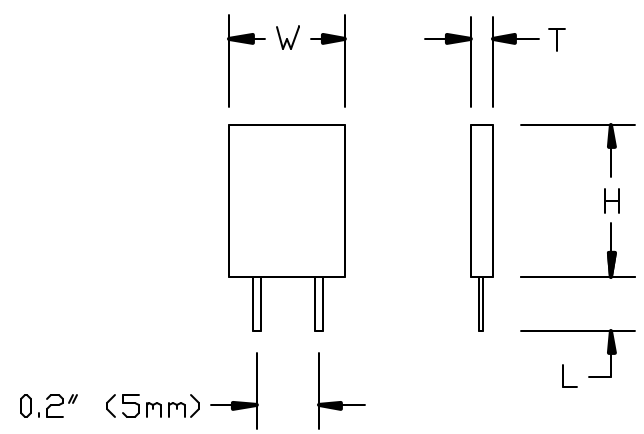
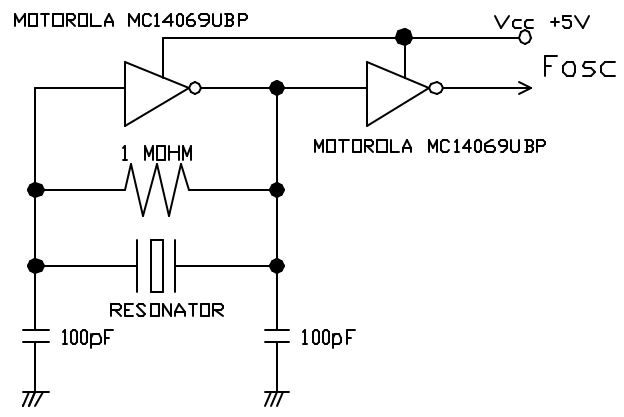


REVISIONS				
ZONE	REV	DESCRIPTION	DATE	APPROVED



NOTES:

1. RESONANT FREQUENCY: 460 KHZ
2. FREQUENCY TOLERANCE: +/- 0.5% AT 25C
3. TEMPERATURE RANGE: -20C TO +80C.
4. AGING, 10 YRS ROOM TEMP: +/- 0.5% MAX.
5. DIMENSION IN MM: W=7, H=9, T=3.5, L=7
6. MARKING: "ZTB 460K"



CMOS STANDARD CIRCUIT

UNLESS OTHERWISE SPECIFIED: DIMENSIONS ARE IN INCHES TOLERANCES	
DECIMALS	ANGULAR
XXX ± .05	± 0.5
XXX ± .010	
DO NOT SCALE DRAWING	
DRAWN	DATE
J. YOUNG	11-94
CHECKED	
DESIGN	

INTEGRITY TECHNOLOGY			
CERAMIC RESONATOR			
SIZE	PSCM NO.	DWG NO.	REV
A		ZTB 460K	B
SCALE	NONE	ZTB-460K	SHEET 1 OF 1