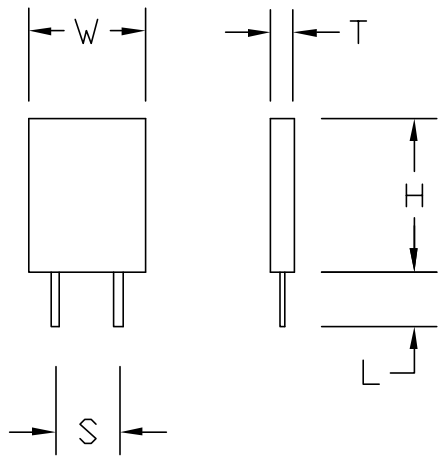
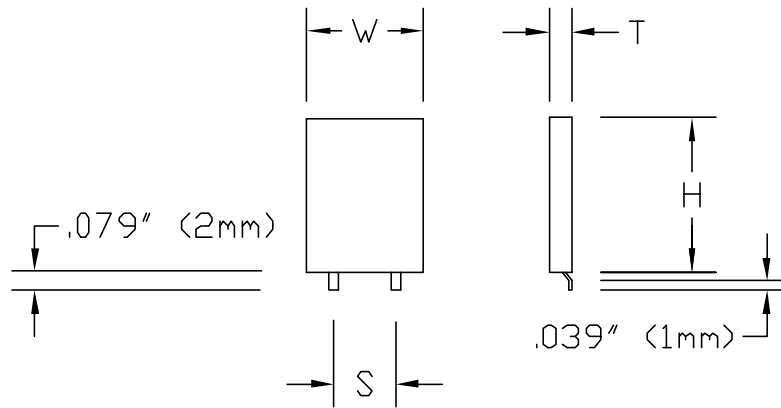


REVISIONS				
ZONE	REV	DESCRIPTION	DATE	APPROVED



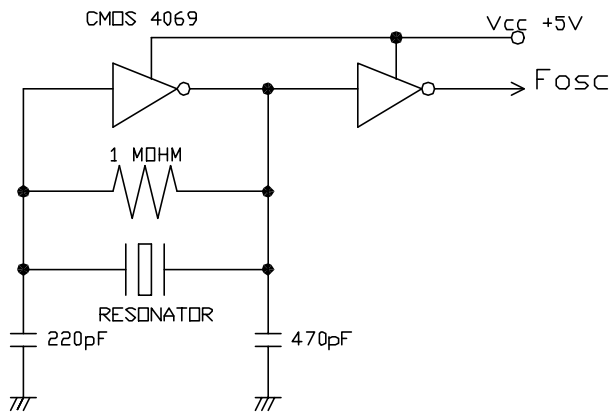
ZTB 250K



ZTBF 250K

NOTES:

1. RESONANT FREQUENCY: 250KHZ
2. FREQUENCY ACCURACY: +/- 1KHZ AT 20C
3. TEMPERATURE RANGE: -20C TO +80C
4. AGING IN 10 YEARS: +/- 0.3% AT 25C
5. RESONANT IMPEDANCE: 20 OHMS MAX
6. DIMENSION IN MM: W=11, H=12.2, T=3.8, L=7, S=7.7
7. MARKING: "ZTB 250"



CMOS STANDARD CIRCUIT

UNLESS OTHERWISE SPECIFIED: DIMENSIONS ARE IN INCHES TOLERANCES		INTEGRITY TECHNOLOGY		
DECIMALS .XX ± .05	ANGULAR ± 0.5°			
.XXX ± .010	DO NOT SCALE DRAWING	CERAMIC RESONATOR		
DRAWN J. YOUNG	DATE 7-02	SIZE A	FSCM NO.	REV A
CHECKED		DWG NO. ZTBF 250K		
DESIGN		SCALE NONE	ZTBF250K	SHEET 1 OF 1