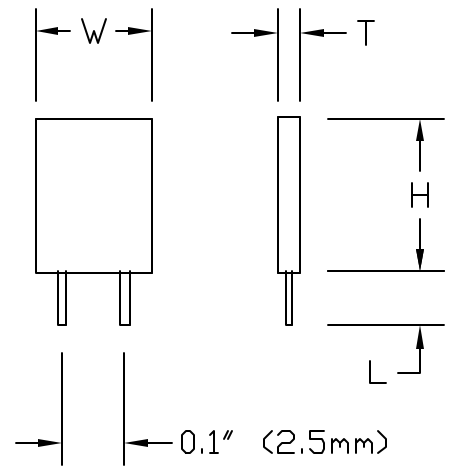
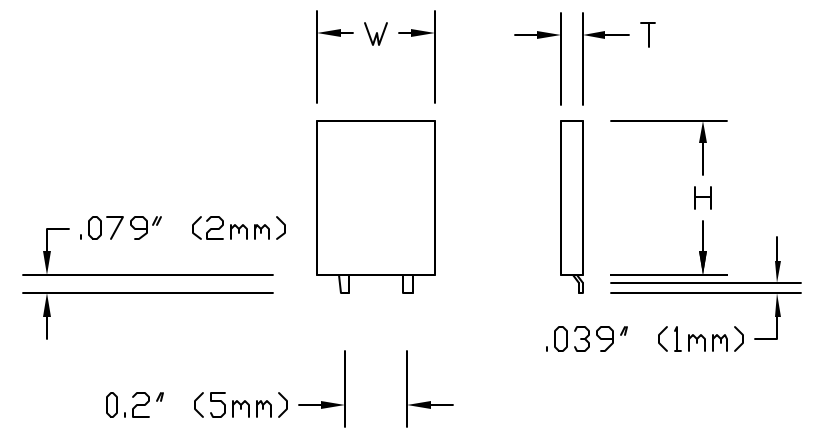


REVISIONS				
ZONE	REV	DESCRIPTION	DATE	APPROVED



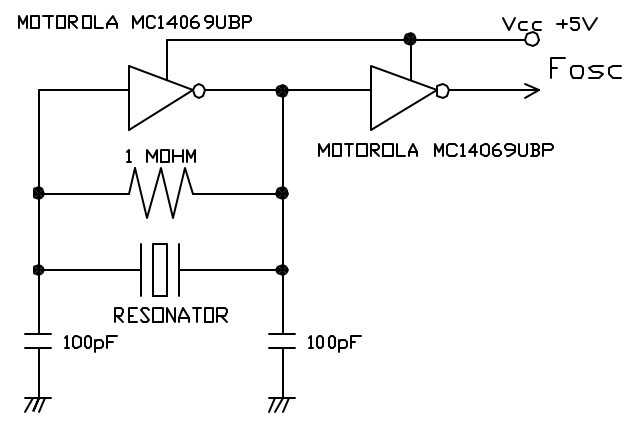
ZTB 455K



ZTBF 455K

NOTES:

1. RESONATE FREQUENAY: 455 KHz
2. FREQUENCY TOLERANCE: +/- 0.5% AT 25C
3. TEMPERATURE RANGE: -20C TO +80C.
4. AGING, 10 YRS ROOM TEMP: +/- 0.5% MAX.
5. ABSOLUTE IMPEDANCE AT RESONANCE: 30 OHMS MAX.
6. DIMENSION IN MM: W=7, H=9, T=3.5, L=3.5
7. MARKING "ZTBF455K" OR "ZTB455K"



CMOS STANDARD CIRCUIT

UNLESS OTHERWISE SPECIFIED: DIMENSIONS ARE IN INCHES TOLERANCES: DECIMALS .05 ANGULAR ± 0.0 XXX ± .010 DO NOT SCALE DRAWING		INTEGRITY TECHNOLOGY			
		CERAMIC RESONATOR			
DRAWN	J. YOUNG	DATE	1-02		REV
CHECKED		SIZE	PSCN NO.	DWG NO.	ZTBF 455K
DESIGN		SCALE	NONE	ZTBF455K	SHEET 1 OF 1