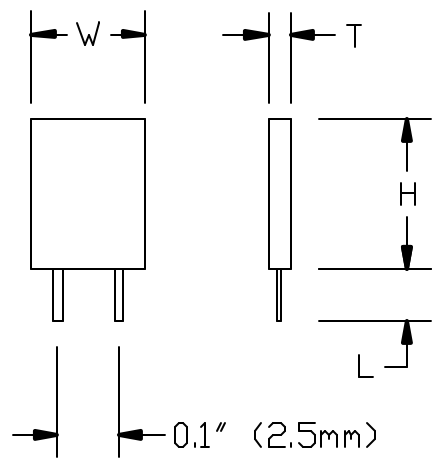
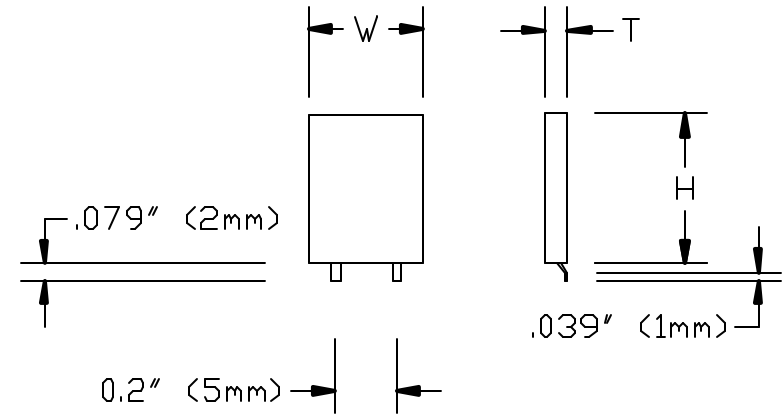


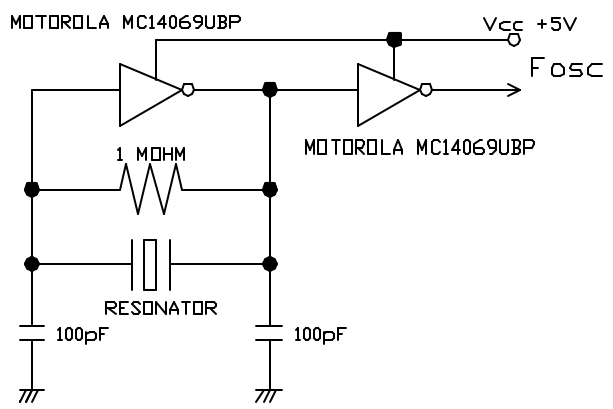
ZDNE		REV	DESCRIPTION	REVISIONS	DATE	APPROVED



ZTB 500K



ZTBF 500K



CMOS STANDARD CIRCUIT

NOTES:

1. RESONANT FREQUENCY: 500 KHZ
2. FREQUENCY TOLERANCE: +/- 0.5% AT 25C
3. TEMPERATURE RANGE: -20C TO +80C.
4. AGING, 10 YRS ROOM TEMP: +/- 0.5% MAX.
5. ABSOLUTE IMPEDANCE AT RESONANCE: 30 OHMS MAX.
6. DIMENSION IN MM: W=7, H=9, T=3.5, L=3.5
7. MARKING: "ZTB 500K"

UNLESS OTHERWISE SPECIFIED: DIMENSIONS ARE IN INCHES TOLERANCES:		INTEGRITY TECHNOLOGY			
DECIMALS ± .05 ANGULAR ± 0.5° .XXX ± .010 DO NOT SCALE DRAWING					
DRAWN	J. YOUNG	DATE	4-95		CERAMIC RESONATOR
CHECKED		SIZE	FSCM NO.	DWG NO.	
DESIGN		A		ZTBF 500K	
		SCALE	NONE	ZTBF500K	SHEET 1 OF 1