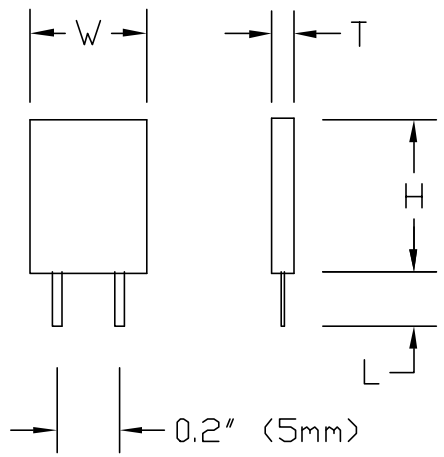
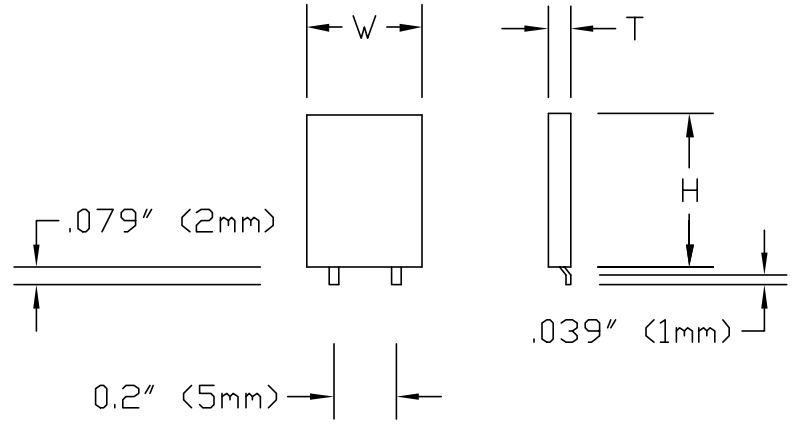


REVISIONS				
ZONE	REV	DESCRIPTION	DATE	APPROVED



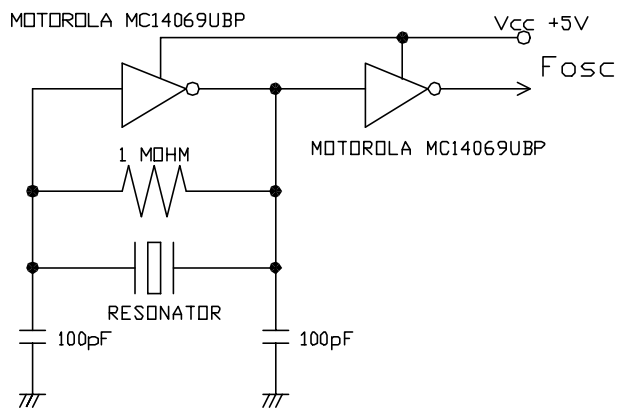
ZTB640K



ZTBF640K

NOTES:

1. RESONANT FREQUENCY: 640KHz
2. FREQUENCY TOLERANCE: +/- 0.5% AT 25C
3. TEMPERATURE RANGE: -20C TO +80C.
4. AGING, 10 YRS ROOM TEMP: +/- 0.5% MAX.
5. ABSOLUTE IMPEDANCE AT RESONANCE: 30 OHMS MAX.
6. DIMENSION IN MM W=7, H=9, T=3.7, L=4
7. MARKING: "ZTB 640K" or "ZTB 640J"



CMOS STANDARD CIRCUIT

UNLESS OTHERWISE SPECIFIED: DIMENSIONS ARE IN INCHES TOLERANCES:		INTEGRITY TECHNOLOGY			
DECIMALS	ANGULAR				
.XX ± .05	± 0.5°	CERAMIC RESONATOR			
.XXX ± .010					
DO NOT SCALE DRAWING		SIZE	FSCM NO.	DWG NO.	REV
DRAWN	DATE	A		ZTBF 640K	D
CHECKED		SCALE	NONE	ZTBF640K	SHEET 1 OF 1
DESIGN					