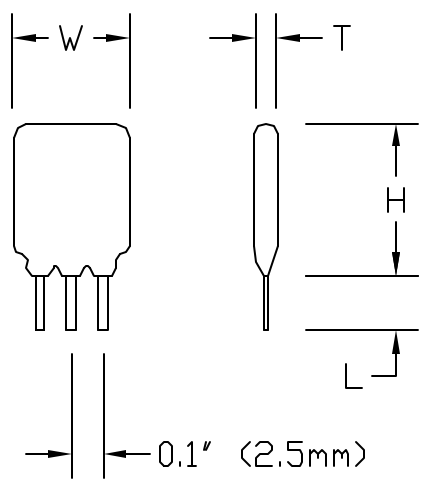
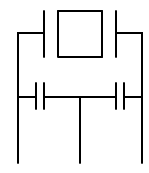


REVISIONS				
ZONE	REV	DESCRIPTION	DATE	APPROVED

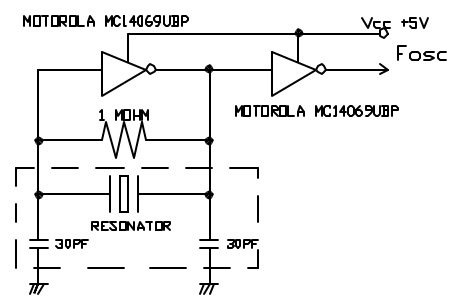


SCHEMATIC

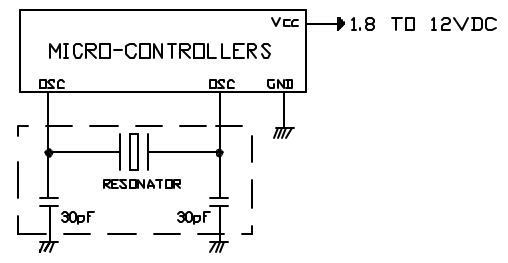


NOTES:

1. RESONANT FREQUENCY: 3.579545 MHz
2. FREQUENCY TOLERANCE: +/- 0.5% AT 25C
3. TEMPERATURE RANGE: -20C TO +80C.
4. AGING, 10 YRS ROOM TEMP: +/- 0.5% MAX.
5. BUILD-IN LOAD CAPACITORS: 30 PF
6. DIMENSION IN MM: W=8 TYP, 10 MAX. H=7 MAX.
T=3 TYP, 5 MAX. L=5 +/- 1.
7. ABSOLUTE IMPEDANCE AT RESONANT: 30 OHMS MAX
8. MARKING: "ZT3.58M" OR "TT3.58M"
9. APPLICATION: COLOR BURST, DTMF TONE DIAL



CMOS STANDARD CIRCUIT



TYPICAL APPLICATION

UNLESS OTHERWISE SPECIFIED: DIMENSIONS ARE IN INCHES TOLERANCES	
DECIMALS ± .05	ANGULAR ± 0.5°
XXX ± .010	
DD NOT SCALE DRAWING	
DRAWN	DATE
J. YOUNG	2-95
CHECKED	
DESIGN	

INTEGRITY TECHNOLOGY			
CERAMIC RESONATOR			
SIZE	FSCM NO.	DWG NO.	REV
A		ZTS 3.58M	D
SCALE	NONE	ZTS-358M	SHEET 1 OF 1