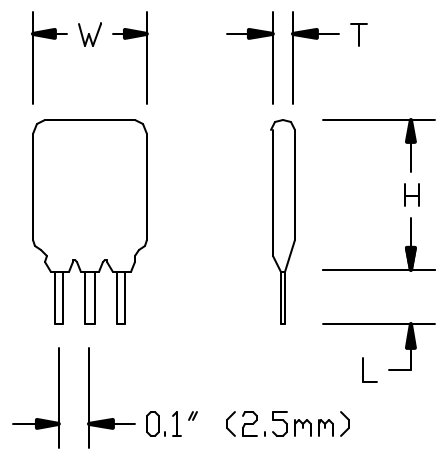
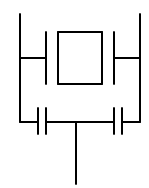


REVISIONS				
ZONE	REV	DESCRIPTION	DATE	APPROVED

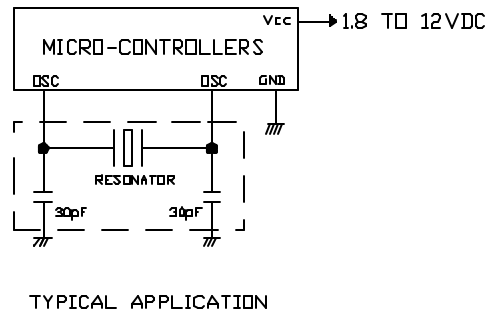
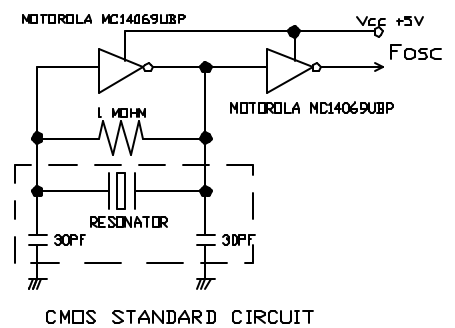


SCHEMATIC



NOTES:

1. RESONANT FREQUENCY: 7.3728 MHZ
2. FREQUENCY TOLERANCE: +/- 0.5% AT 25C
3. TEMPERATURE RANGE: -20C TO +80C.
4. AGING, 10 YRS ROOM TEMP: +/- 0.5% MAX.
5. BUILD-IN LOAD CAPACITORS: 30 PF
6. ABSOLUTE IMPEDANCE AT RESONANT: 30 OHMS MAX
7. DIMENSION IN MM: W=7, H=9, T=3, L=5
8. MARKING: "ZTS7.37M" OR "ZT7.37M" OR "TT7.37M"
9. APPLICATION: MCU RS232 BAUD RATE FREQ.



UNLESS OTHERWISE SPECIFIED: DIMENSIONS ARE IN INCHES TOLERANCES	
DECIMALS	ANGULAR
XX ± .05	± 0.5
XXX ± .010	
DO NOT SCALE DRAWING	
DRAWN	J. YOUNG
CHECKED	
DESIGN	
DATE	5-95

INTEGRITY TECHNOLOGY				
CERAMIC RESONATOR				
SIZE	FSCN NO.	DWG NO.	ZTS 7.37M	REV B
A				
SCALE	NONE	ZTS-737M	SHEET 1	OF 1