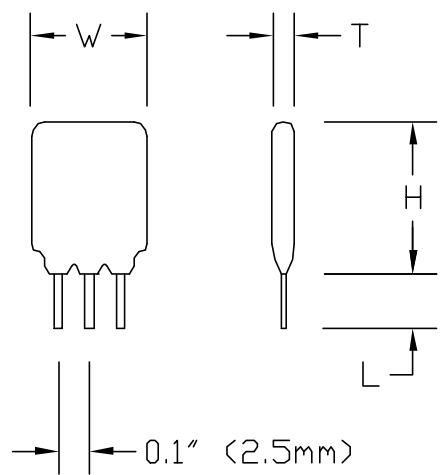
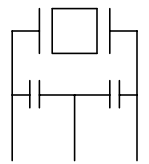


REVISIONS				
ZONE	REV	DESCRIPTION	DATE	APPROVED

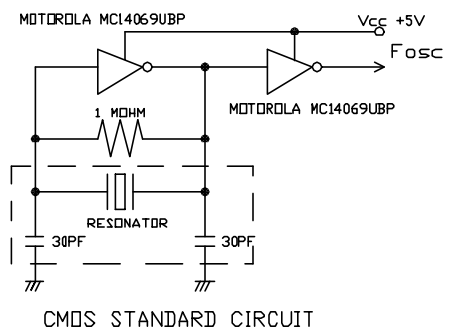


SCHEMATIC

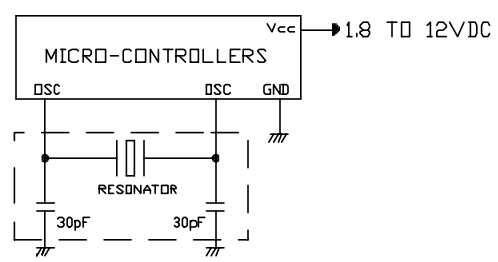


NOTES:

1. RESONANT FREQUENCY: 14.31818 MHz
2. FREQUENCY TOLERANCE: +- 0.5% AT 25C
3. TEMPERATURE RANGE: -20C TO +80C.
4. AGING, 10 YRS ROOM TEMP: +/- 0.5% MAX.
5. BUILD-IN LOAD CAPACITORS: 30 PF
6. DIMENSION IN MM: W=7, H=9, T=3, L=5
7. ABSOLUTE IMPEDANCE AT RESONANCE: 30 OHMS MAX
8. MARKING: "ZTS 14.31M" OR "ZTT 14.31M" OR "14.31M"



CMOS STANDARD CIRCUIT



TYPICAL APPLICATION

UNLESS OTHERWISE SPECIFIED: DIMENSIONS ARE IN INCHES TOLERANCES		INTEGRITY TECHNOLOGY			
DECIMALS	ANGULAR				
.XX ± .05	± 0.5°	SIZE	FSCM NO.	DWG NO.	REV
.XXX ± .010	DO NOT SCALE DRAWING	A		ZTS 14.31M	A
DRAWN	DATE	SCALE	NONE	ZTS14-31M	SHEET 1 OF 1
J. YOUNG	11-03				
CHECKED					
DESIGN					