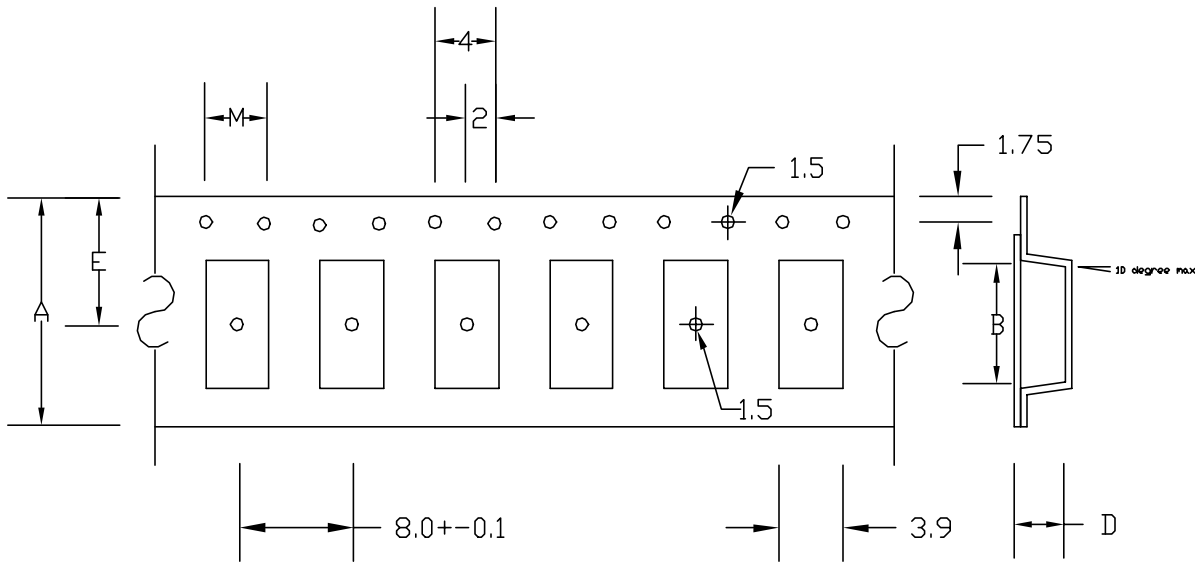
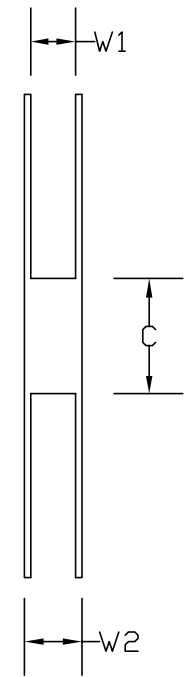
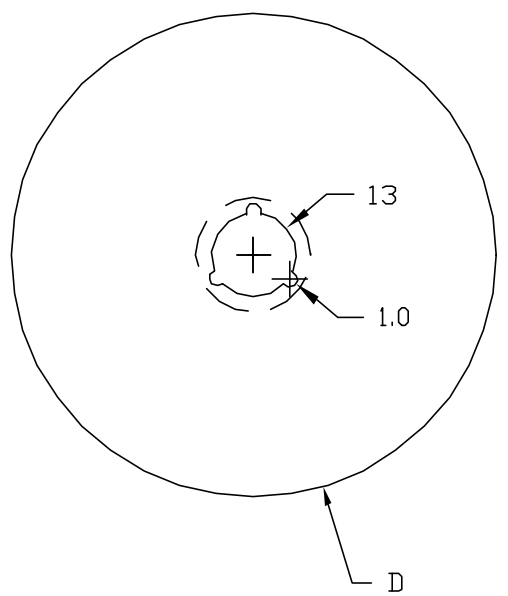


REVISIONS				
ZONE	REV	DESCRIPTION	DATE	APPROVED



TAPE NOTES:

1.  $A = 12$ ,  $E = 5.5$ ,  $B = 4.4$
2.  $M = 5.0$ ,  $D = 1.8$
3. ALL DIMENSION IN mm.



REEL NOTES:

1. REEL DIAMETER  $D = 179 \pm 2$ mm (7")
2.  $W1 = 12.4$  min,  $W2 = 19.4$  min.
3. REEL in PAPER OR PLASTIC
4. CORE SIZE  $C = 60$ mm Typical
5. ALL DIMENSION ARE IN mm.

UNLESS OTHERWISE SPECIFIED: DIMENSIONS ARE IN INCHES TOLERANCES		<b>INTEGRITY TECHNOLOGY</b>			
DECIMALS	ANGULAR				
.XX ± .05	± 0.5°	ZTSC REEL & TAPE			
.XXX ± .010					
DO NOT SCALE DRAWING		SIZE	FSCM NO.	DWG NO.	REV
DRAWN	J. YOUNG	DATE	6-03	ZTSC-RT C	
CHECKED		SCALE	NONE	Reel-Tape	SHEET 1 OF 1
DESIGN					