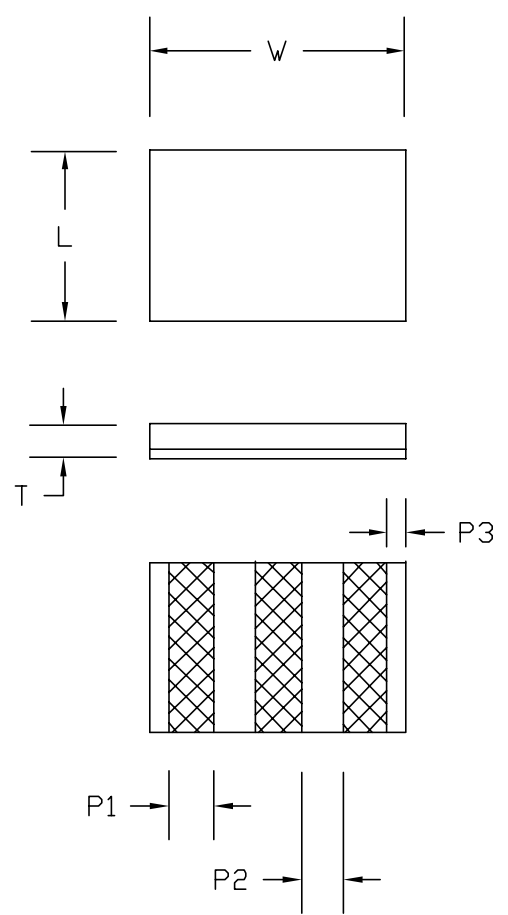
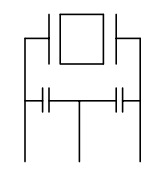
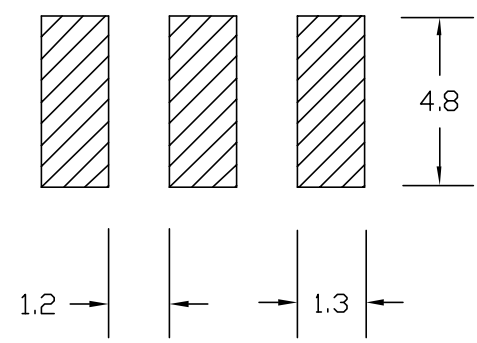


REVISIONS				
ZONE	REV	DESCRIPTION	DATE	APPROVED



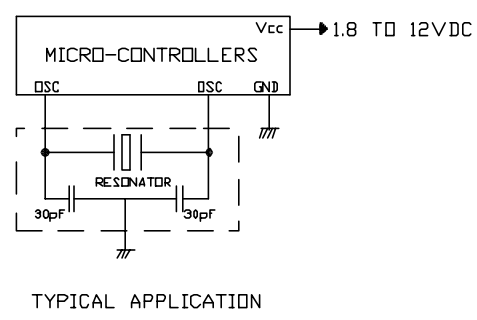
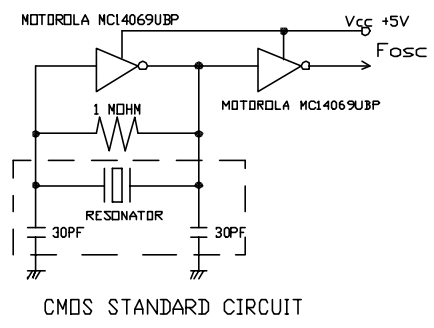
Recommend PCB Layout

SCHEMATIC



NOTES:

1. RESONANT FREQUENCY: 2.4576 MHZ
2. FREQUENCY TOLERANCE: +/- 0.5% at 25C
3. TEMPERATURE RANGE: -20C to +80C
4. AGING: +/- 0.5% Max. IN 10 YEARS, ROOM TEMP.
5. BUILD-IN LOAD CAPACITORS: TWO 30pF
6. ABSOLUTE IMPEDANCE AT RESONANT: 30 OHMS MAX.
7. DIMENSION in mm: L=3.4, W=7.4, T=1.8, P1=1.2, P2=1.3, P3=0.6
8. MARKING: "2.45M", "ZTSC2.45M", "ZTTC2.45M"



UNLESS OTHERWISE SPECIFIED: DIMENSIONS ARE IN INCHES TOLERANCES		INTEGRITY TECHNOLOGY			
DECIMALS	ANGULAR				
.XX ± .05	± 0.5°	SIZE	FSCM NO.	DWG NO.	REV
*XXX ± .010 DO NOT SCALE DRAWING		A		ZTSC 2.45M	B
DRAWN	J. YOUNG	DATE	2-98	SCALE	NONE
CHECKED					
DESIGN				ZTSC-2-45M	SHEET 1 OF 1