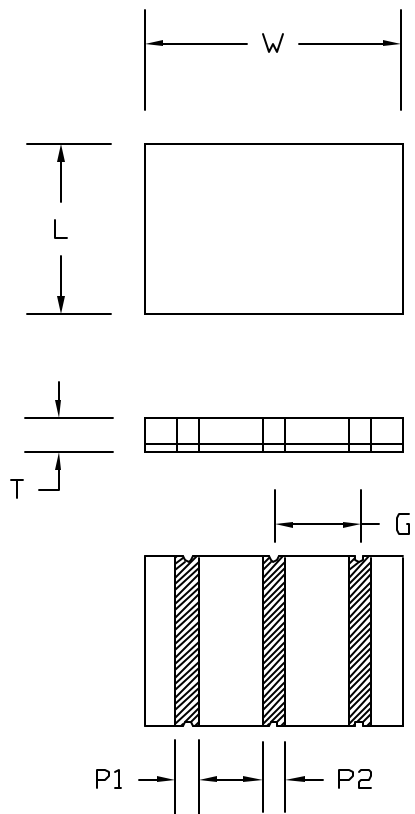
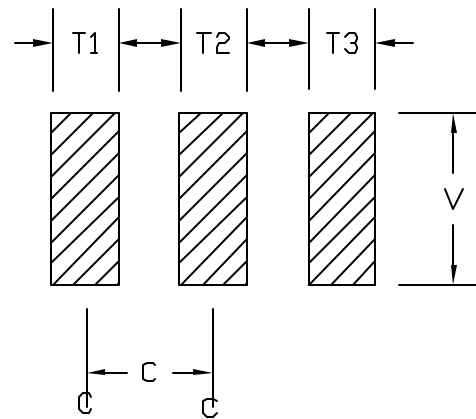


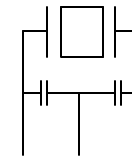
REVISIONS				
ZONE	REV	DESCRIPTION	DATE	APPROVED



Recommend PCB Layout

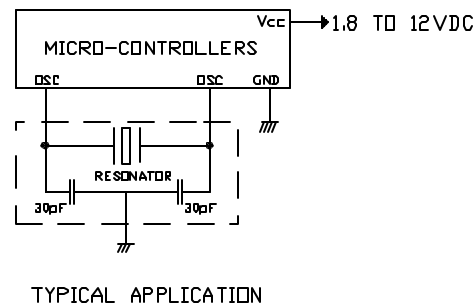
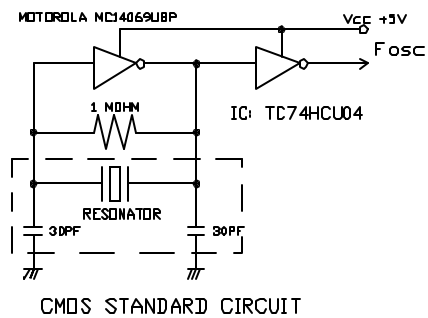


SCHEMATIC



NOTES:

1. RESONANT FREQUENCY: 20.00 MHz
2. FREQUENCY TOLERANCE: +/- 0.5% at 25C
3. TEMPERATURE RANGE: -20C TO +80C
4. AGING: +/- 0.3% MAX IN 10 YEARS, ROOM TEMP.
5. BUILD-IN LOAD CAPACITORS: TWO 15pF +/- 20%
6. ABSOLUTE IMPEDANCE AT RESONANT: 30 OHMS MAX.
7. MARKING: ZTSC20M or ZTTCS20.0M or T20.00M
8. DIMENSION in mm: W=4.7, L=4.1, T=1.6, P1=.8, P2=1.0, G=1.9, T1=T3=.8, T2=1.3, C=1.9, V=5.1



UNLESS OTHERWISE SPECIFIED: DIMENSIONS ARE IN INCHES TOLERANCES		INTEGRITY TECHNOLOGY			
DECIMALS	ANGULAR				
XX ± .06	± D.B	DRAWN	J. YOUNG	DATE	3-01
XXX ± .010	DO NOT SCALE DRAWING	CHECKED		SIZE	A
		DESIGN		SCALE	NONE
				PART NO.	
				DWG NO.	ZTSC 20M
				REV	C
				SHEET	1 OF 1