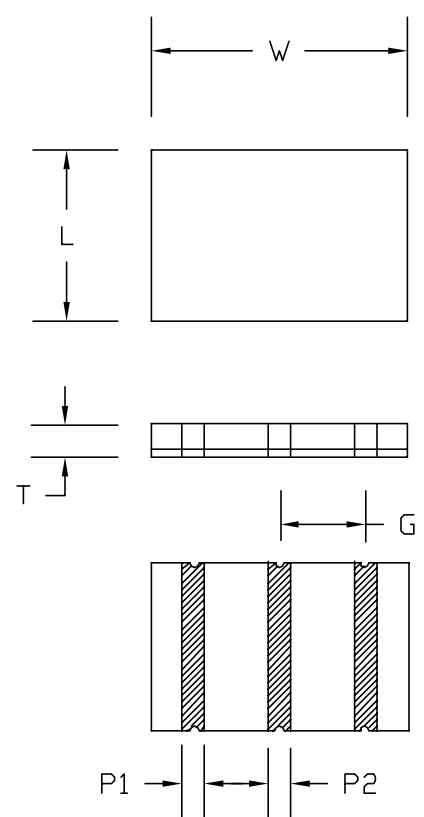
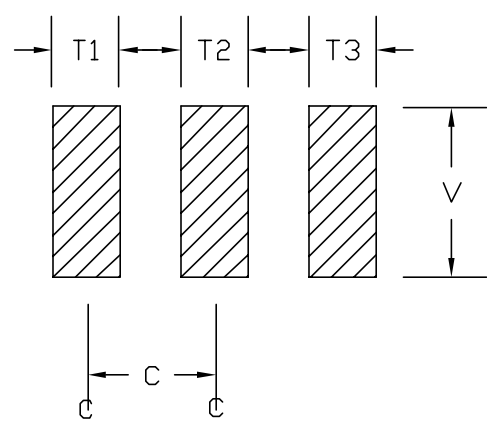


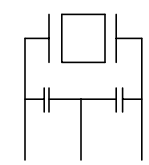
REVISIONS				
ZONE	REV	DESCRIPTION	DATE	APPROVED



Recommend PCB Layout

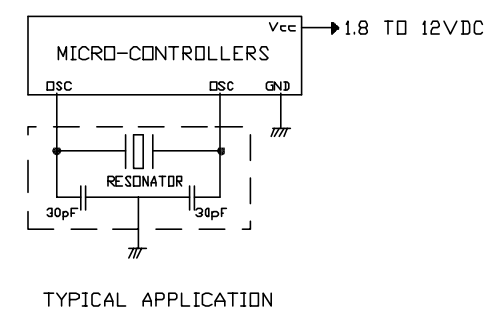
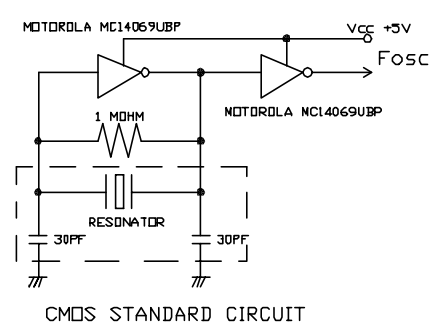


SCHEMATIC



NOTES:

1. RESONATE FREQUENCY: 3.6864 MHz
2. FREQUENCY TOLERANCE: +/- 0.5% at 25C
3. TEMPERATURE RANGE: -20C to +80C
4. AGING: +/- 0.3% MAX IN 10 YEARS, ROOM TEMP.
5. BUILD-IN LOAD CAPACITORS: TWO 30pF
6. ABSOLUTE IMPEDANCE AT RESONANT: 30 OHMS MAX.
7. MARKING: ZTSC3.68M or ZTTCC3.68MG or 3.68M
8. DIMENSION IN mm: W=7.4, L=3.4, T=1.8
P1=P2=1.2, G=2.5, T1=T3=1.7, T2=1.5, C=2.5, V=4



UNLESS OTHERWISE SPECIFIED: DIMENSIONS ARE IN INCHES TOLERANCES		INTEGRITY TECHNOLOGY		
DECIMALS .XX ± .05 .XXX ± .010 DO NOT SCALE DRAWING				
DRAWN	J. YOUNG	DATE	7-03	REV
CHECKED		SIZE	A	FSCM NO.
DESIGN		DWG NO.	ZTSC3.68M	REV
SCALE		NONE	ZTSC-3-68M	SHEET 1 OF 1