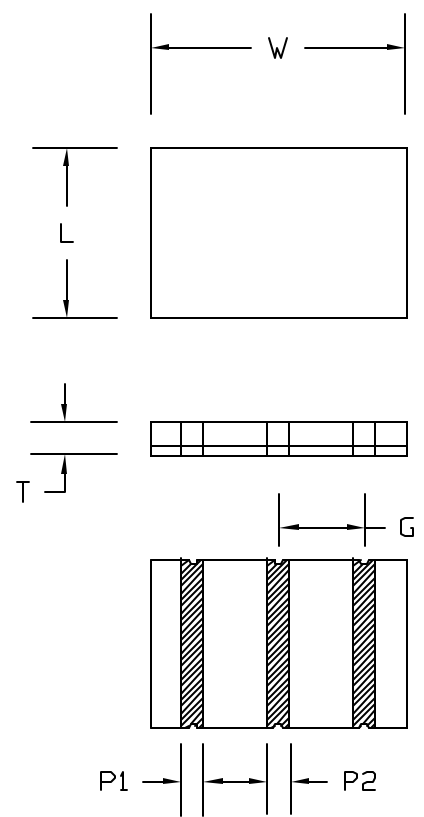
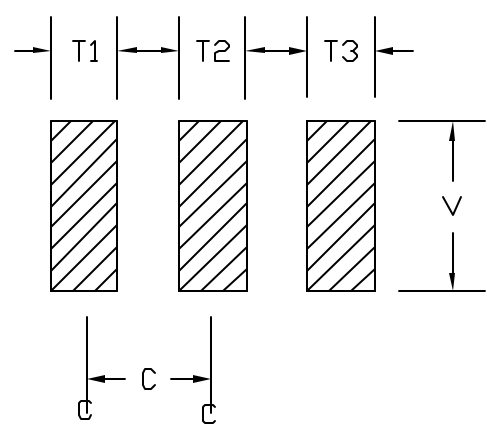


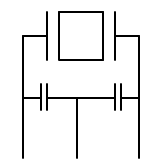
ZONE		REV	DESCRIPTION	DATE	APPROVED



Recommend PCB Layout

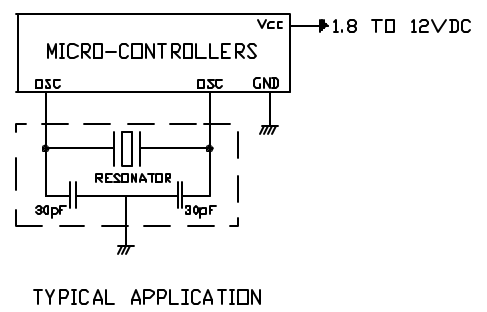
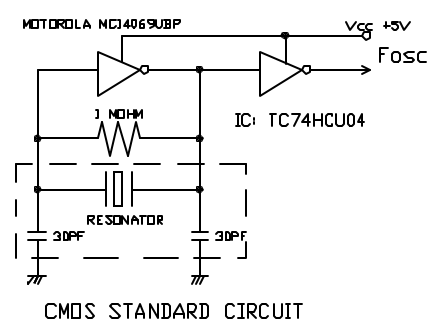


SCHEMATIC



NOTES:

1. RESONANT FREQUENCY: 40.00 MHz
2. FREQUENCY TOLERANCE: +/- 0.5% at 25C
3. TEMPERATURE RANGE: -20C TO +80C
4. AGING: +/- 0.3% MAX IN 10 YEARS, ROOM TEMP.
5. BUILD-IN LOAD CAPACITORS: TWO 15pF +/- 20%
6. ABSOLUTE IMPEDANCE AT RESONANT: 30 OHMS MAX.
7. MARKING: 40.0M, T40.0M, ZTSC40M, ZTTCS40M
8. DIMENSION in mm: W=4.7, L=4.1, T=1.6, P1=.8, P2=1.0, G=1.9, T1=T3=.8, T2=1.3, C=1.9, V=5.1



UNLESS OTHERWISE SPECIFIED: DIMENSIONS ARE IN INCHES TOLERANCES		INTEGRITY TECHNOLOGY	
DECIMALS	ANGULAR		
X.XX ± .05	± D.5°	DATE	REV
X.XXX ± .010	DO NOT SCALE DRAWING	J. YOUNG	10-03
DESIGN	CHECKED	SIZE	FSCM NO.
		A	DWD NO.
		SCALE NONE	ZTSC40M
			SHEET 1 OF 1