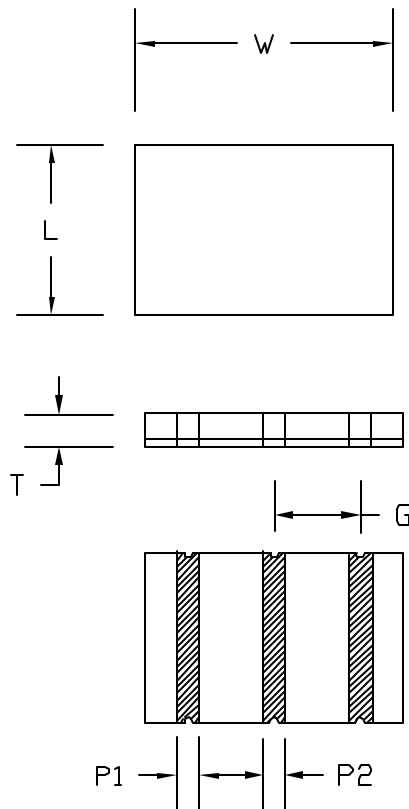
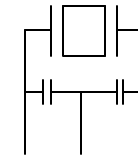
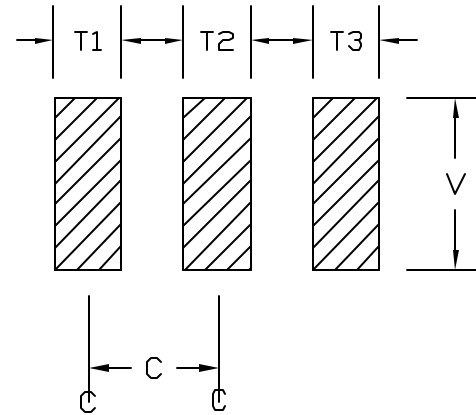


REVISIONS				
ZONE	REV	DESCRIPTION	DATE	APPROVED



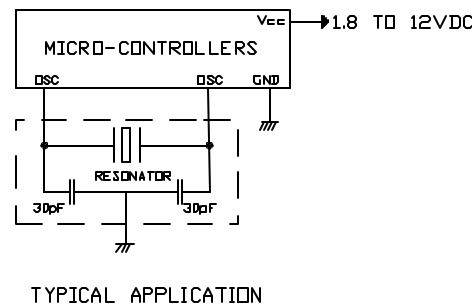
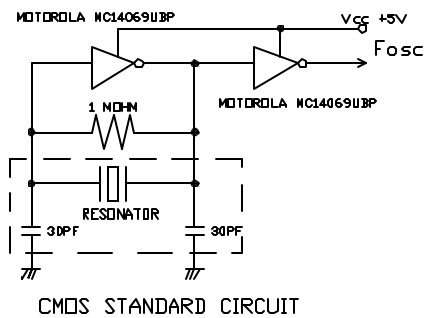
Recommend PCB Layout

SCHEMATIC



NOTES:

1. RESONATE FREQUENCY: 8.00 MHZ
2. FREQUENCY TOLERANCE: +/- 0.5% at 25C
3. TEMPERATURE RANGE: -20C to +80C
4. AGING: +/- 0.3% max in 10 YEARS, ROOM TEMP
5. BUILD-IN LOAD CAPACITORS: TWO 30pF
6. ABSOLUTE IMPEDANCE AT RESONANT: 30 OHMS MAX.
7. MARKING: ZTSC 8.00M or T8.00M or ZTTCS 8.00M
8. DIMENSION IN mm: W=4.7, L=4.1, T=1.6, G=1.95  
P1=.8, P2=1.0, G=1.9, T1=T3=.8, T2=1.3, C=1.9, V=5.1



UNLESS OTHERWISE SPECIFIED: DIMENSIONS ARE IN INCHES TOLERANCES	
DECIMALS	ANGULAR
.XX ± .06	± 0.5°
.XXX ± .010	
DO NOT SCALE DRAWING	
DRAWN	J. YOUNG
CHECKED	
DATE	3-01
DESIGN	

INTEGRITY TECHNOLOGY			
CERAMIC RESONATOR			
SIZE	FSCM NO.	DWG NO.	REV
A		ZTSC 8.00M	C
SCALE	NONE	ZTSC-8-00M	SHEET 1 OF 1