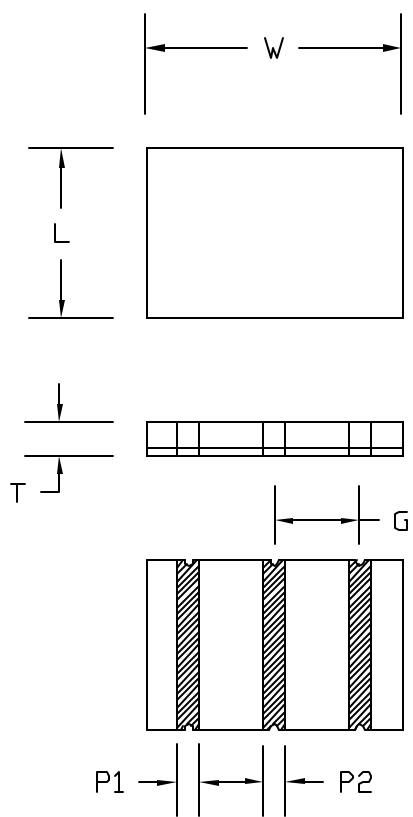
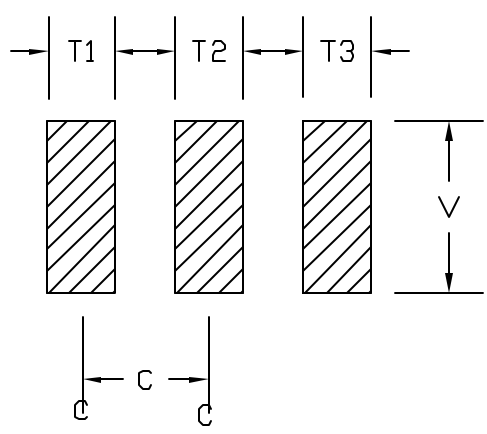


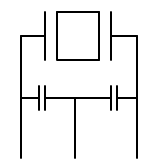
REVISIONS				
ZONE	REV	DESCRIPTION	DATE	APPROVED



### Recommend PCB Layout

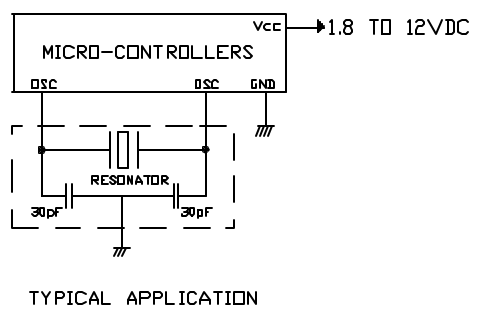
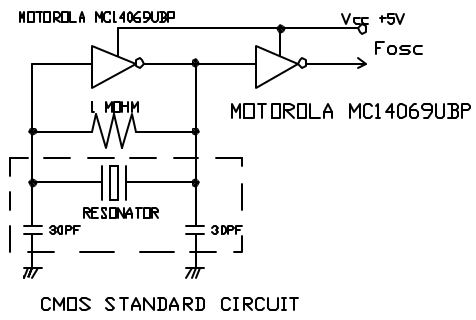


### SCHEMATIC



### NOTES:

1. RESONATE FREQUENCY: 11.0592 MHz
2. FREQUENCY TOLERANCE: +/- 0.5% at 25C
3. TEMPERATURE RANGE: -20C TO +80C
4. AGING: +/- 0.3% MAX IN 10 YEARS, ROOM TEMP.
5. BUILD-IN LOAD CAPACITORS: TWO 30pF
6. ABSOLUTE IMPEDANCE AT RESONANT: 30 OHMS MAX.
7. MARKING: Z11.0M, ZTSC11.06M, or 11.06M
8. DIMENSION IN mm: W=4.7, L=4.1, T=1.6, G=1.95  
P1=.8, P2=1.0, G=1.9, T1=T3=.8, T2=1.3, C=1.9, V=5.1



UNLESS OTHERWISE SPECIFIED: DIMENSIONS ARE IN INCHES TOLERANCES	
DECIMALS	ANGULAR
.XX ± .05	± 0.5°
.XXX ± .010	
DO NOT SCALE DRAWING	
DRAWN	J. YOUNG
DATE	2-02
CHECKED	
DESIGN	

INTEGRITY TECHNOLOGY			
CERAMIC RESONATOR			
SIZE	FSCM NO.	DWG NO.	REV
A		ZTSC11.06M	A
SCALE	NONE	ZTSC11-06M	SHEET 1 OF 1