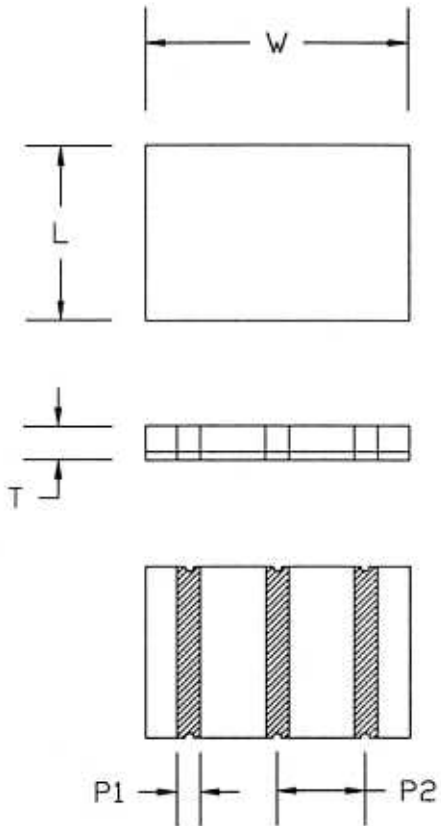
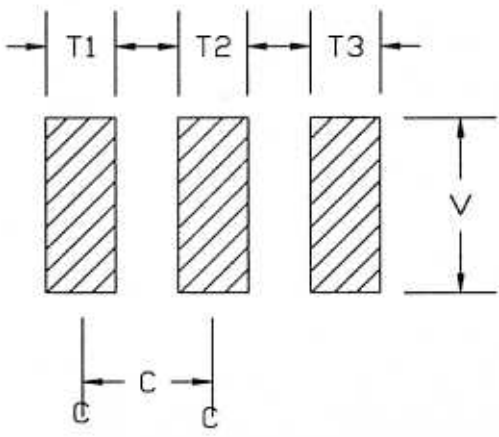


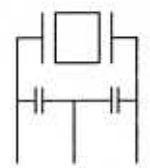
REVISIONS				
ZONE	REV	DESCRIPTION	DATE	APPROVED



Recommend PCB Layout

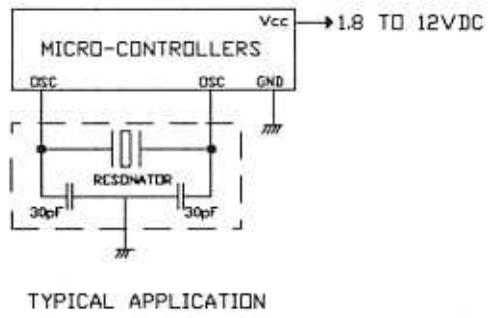
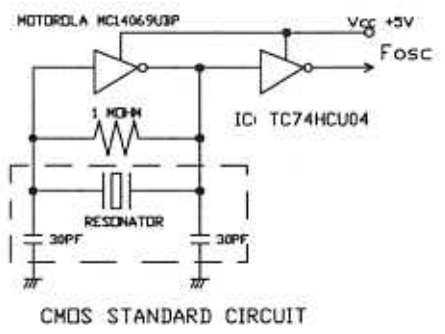


SCHEMATIC



NOTES:

1. RESONATE FREQUENCY: 16.00 MHZ
2. FREQUENCY TOLERANCE: +/- 0.5% at 25C
3. TEMPERATURE RANGE: -20C TO +80C
4. AGING: +/- 0.3% MAX IN 10 YEARS, ROOM TEMP.
5. BUILD-IN LOAD CAPACITORS: TWO 30pF
6. ABSOLUTE IMPEDANCE AT RESONANT: 30 OHMS MAX.
7. MARKING: ZTSC16M or ZTTCS16.0M or T16.00M
8. DIMENSION in mm: W=4.7, L=4.1, T=1.6  
P1=.8, P2=1.95, T1=.8, T2=1.3, T3=.8, C=1.5, V=5.1



UNLESS OTHERWISE SPECIFIED: DIMENSIONS ARE IN INCHES TOLERANCES		INTEGRITY TECHNOLOGY			
DECIMALS .XX ± .05					
XXX ± .010		DO NOT SCALE DRAWING		CERAMIC RESONATOR	
DRAWN	J. YOUNG	DATE	2-01	SIZE	A
CHECKED		FSCM NO.		DWG NO.	ZTSC16.0M
DESIGN		SCALE	NONE	ZTSC-16M	SHEET 1 OF 1