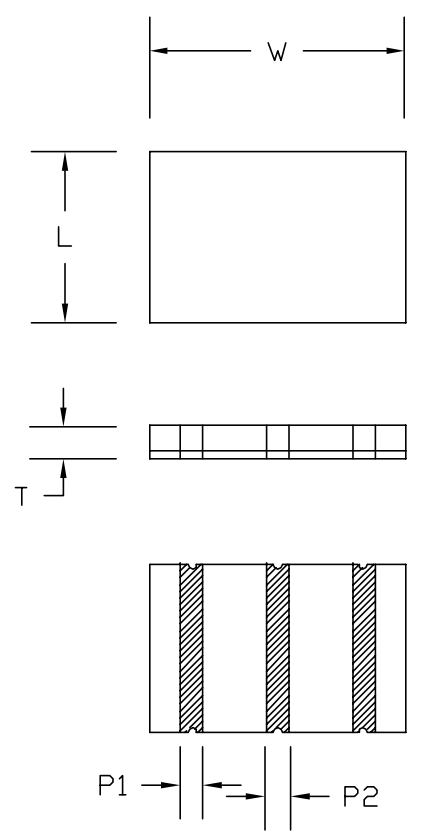
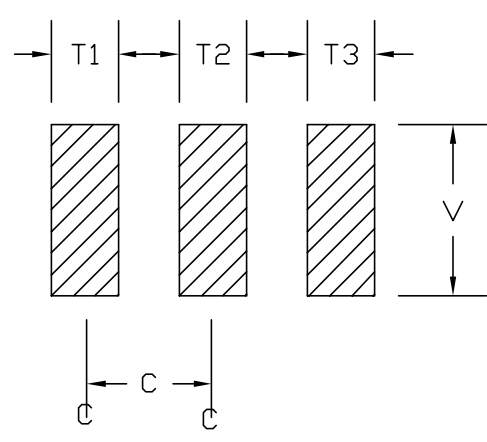


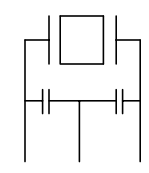
REVISIONS				
ZONE	REV	DESCRIPTION	DATE	APPROVED



### Recommend PCB Layout

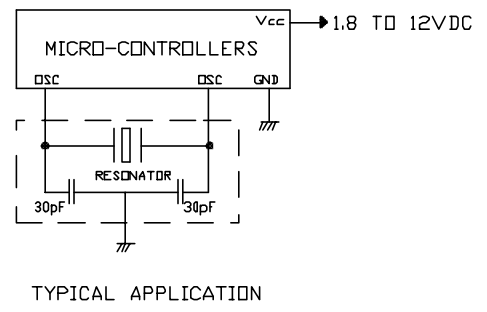
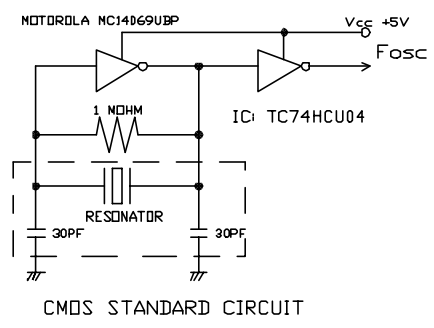


### SCHEMATIC



### NOTES:

1. RESENANT FREQUENCY: 18.432 MHz
2. FREQUENCY TOLERANCE: +/- 0.5% at 25C
3. TEMPERATURE RANGE: -20C TO +80C
4. AGING: +/- 0.3% MAX IN 10 YEARS, ROOM TEMP.
5. BUILD-IN LOAD CAPACITORS: TWO 30pF
6. ABSOLUTE IMPEDANCE AT RESONANT: 30 OHMS MAX.
7. MARKING: ZTSC18.43M, T18.43M, ZTTC18.43M
8. DIMENSION in mm: W=4.7, L=4.1, T=1.6  
P1=1.0, P2=0.8, T1=0.8, T2=1.3, T3=0.8, C=1.96, V=5.1



UNLESS OTHERWISE SPECIFIED: DIMENSIONS ARE IN INCHES TOLERANCES	
DECIMALS	ANGULAR
.XX ± .05	± 0.5°
.XXX ± .010	
DO NOT SCALE DRAWING	
DRAWN	DATE
J. YOUNG	10-03
CHECKED	
DESIGN	

INTEGRITY TECHNOLOGY				
CERAMIC RESONATOR				
SIZE	FSCM NO.	DWG NO.	REV	
A		ZTSC18.43M	A	
SCALE	NONE	ZTSC18-43M	SHEET	1 OF 1