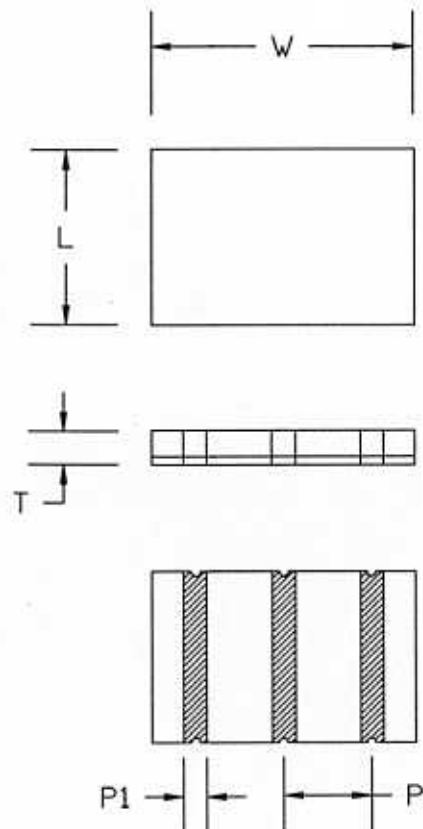
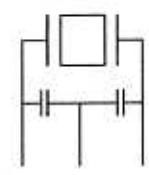
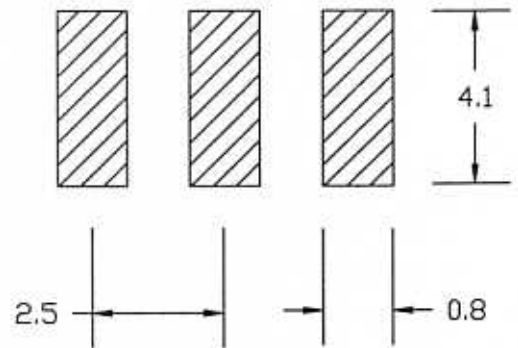


REVISIONS				
ZONE	REV	DESCRIPTION	DATE	APPROVED



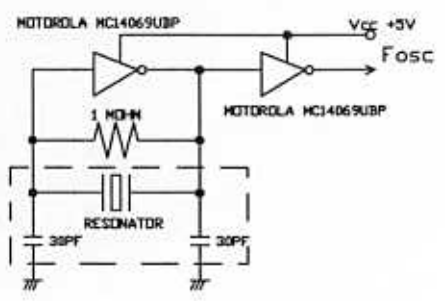
Recommend PCB Layout

SCHEMATIC

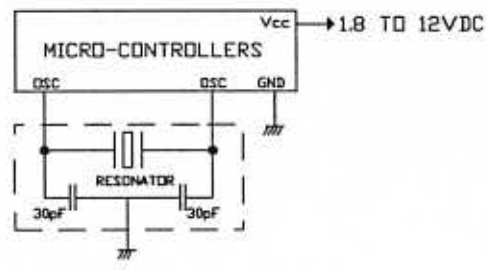


NOTES:

1. RESONANT FREQUENCY: 4.19 MHZ
2. FREQUENCY TOLERANCE: +/- 0.5% at 25C
3. TEMPERATURE RANGE: -40C to +85C
4. AGING: +/- 0.3% MAX IN 10 YEARS, ROOM TEMP.
5. BUILD-IN LOAD CAPACITORS: TWO 30pF
6. ABSOLUTE IMPEDANCE AT RESONANT: 30 OHMS MAX.
7. MARKING: ZTSC4.19M or ZTTCC4.19MG
8. DIMENSION in mm: W=7.4, L=3.4, T=1.8
P1=1.2, P2=2.5



CMDS STANDARD CIRCUIT



TYPICAL APPLICATION

UNLESS OTHERWISE SPECIFIED: DIMENSIONS ARE IN INCHES TOLERANCES		INTEGRITY TECHNOLOGY	
DECIMALS	ANGULAR		
XXX ± .05	± 0.5°	CERAMIC RESONATOR	
XXX ± .010			
DO NOT SCALE DRAWING			
DRAWN	J. YOUNG	DATE	2-01
CHECKED		SIZE	A
DESIGN		FSCM NO.	
		DWG NO.	ZTSC 4.19M
		REV	B
		SCALE	NONE
		ZTSC-4-19M	SHEET 1 OF 1