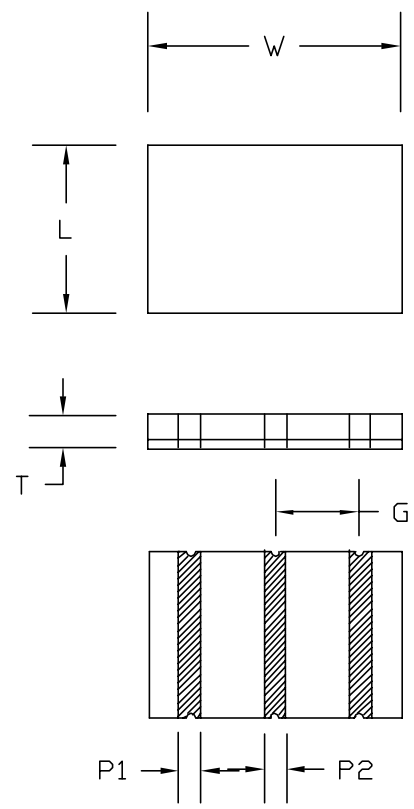
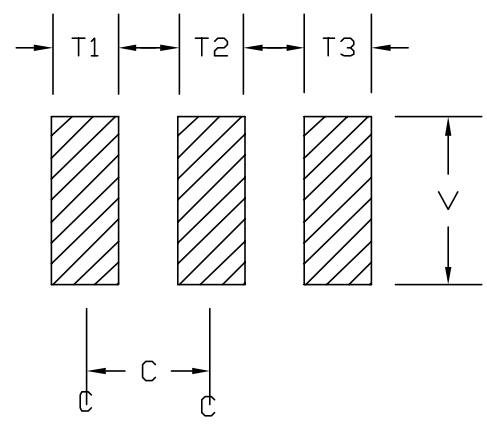


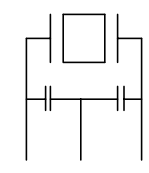
ZONE		REV	DESCRIPTION	DATE	APPROVED



Recommend PCB Layout

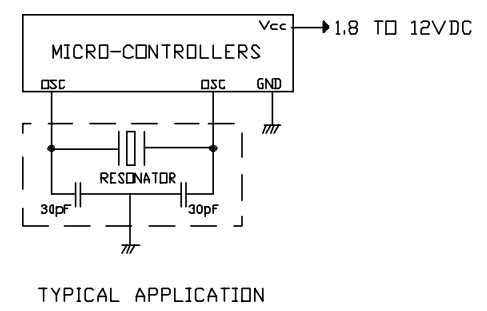
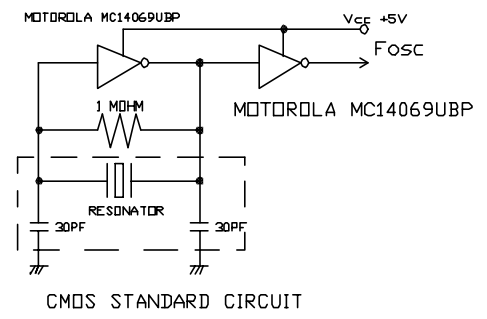


SCHEMATIC



NOTES:

1. RESONATE FREQUENCY: 9.216 MHz
2. FREQUENCY TOLERANCE: +/- 0.5% at 25C
3. TEMPERATURE RANGE: -20C TO +80C
4. AGING: +/- 0.3% MAX IN 10 YEARS, ROOM TEMP.
5. BUILD-IN LOAD CAPACITORS: TWO 30pF
6. ABSOLUTE IMPEDANCE AT RESONANT: 30 OHMS MAX.
7. MARKING: ZTSC9.21M, ZTTCS9.21MT, 9.21M
8. DIMENSION IN mm: W=4.7, L=4.1, T=1.6, G=1.95
P1=.8, P2=1.0, G=1.9, T1=T3=.8, T2=1.3, C=1.9, V=5.1



UNLESS OTHERWISE SPECIFIED: DIMENSIONS ARE IN INCHES TOLERANCES		INTEGRITY TECHNOLOGY			
DECIMALS	ANGULAR				
.XX ± .05	± 0.5°	SIZE	FSCM NO.	DWG NO.	REV
.XXX ± .010		A		ZTSC9.21M	A
DO NOT SCALE DRAWING		SCALE	NONE	ZTSC9-21M	SHEET 1 OF 1
DRAWN	J. YOUNG	DATE	6-03		
CHECKED					
DESIGN					